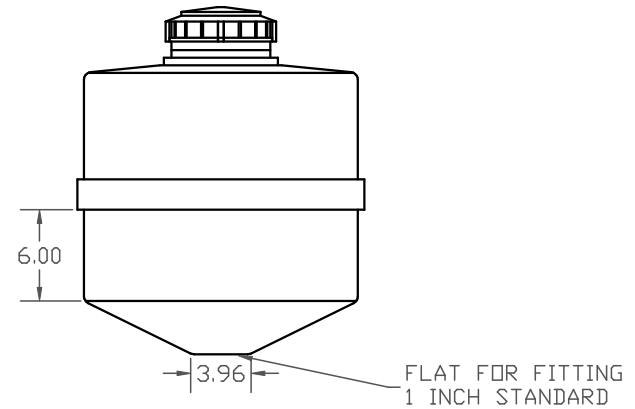
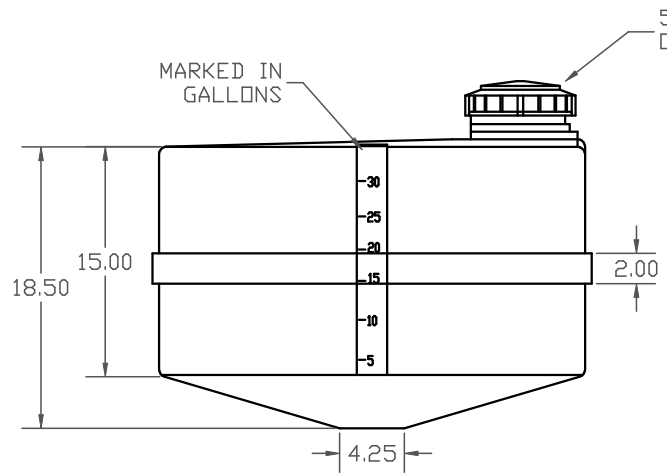
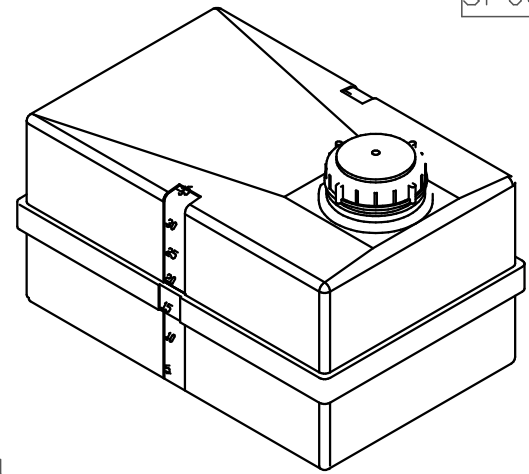
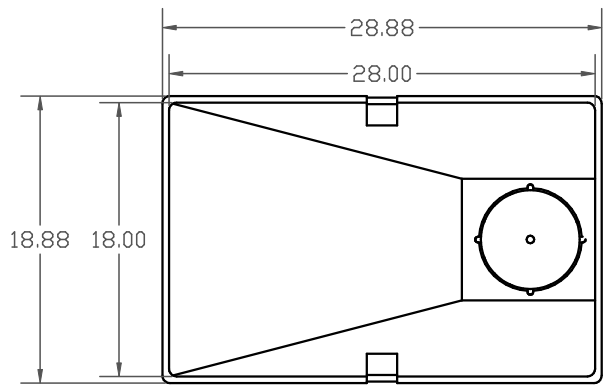




if it flows,
we go with it

1.800.665.4499
barrplastics.com

SP0035-RT



		DRAWN /DATE DHJ 5/14/04 APPRD. /DATE	MATERIAL / SHOT WEIGHT 17 LBS.	Ace Roto-Mold A DIVISION OF DEN HARTOG INDUSTRIES, INC.	
REV	DESCRIPTION	DATE APPRD.	NOTES: 0.200 WALL	CLIENT / DESCRIPTION 35 GALLON RECTANGLE	
ALL DIMENSIONS ARE IN DECIMAL INCHES TOLERANCES UNLESS OTHERWISE SPECIFIED ± 1% @ 68° F				THIRD ANGLE PROJECTION ANSI 14.5M 	SCALE NONE