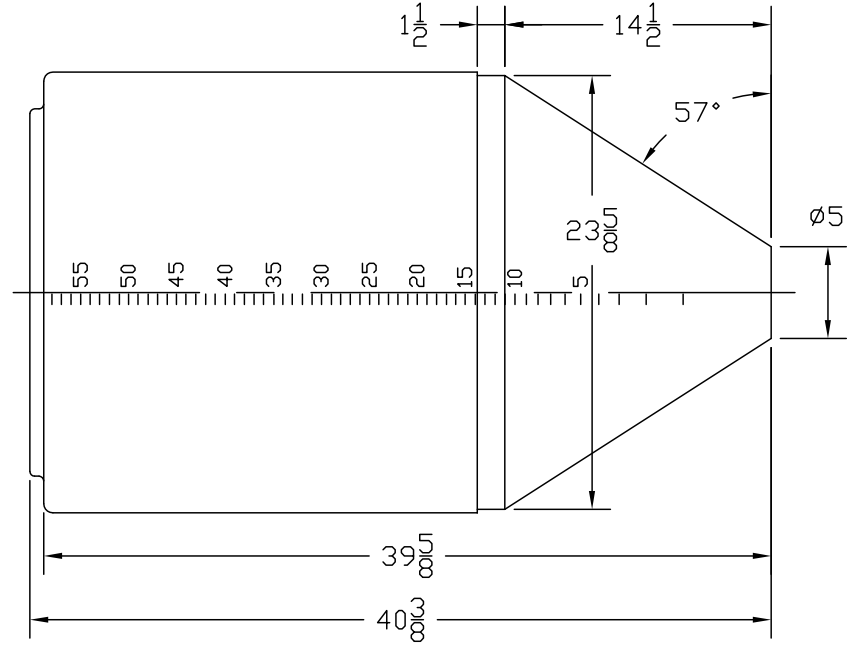
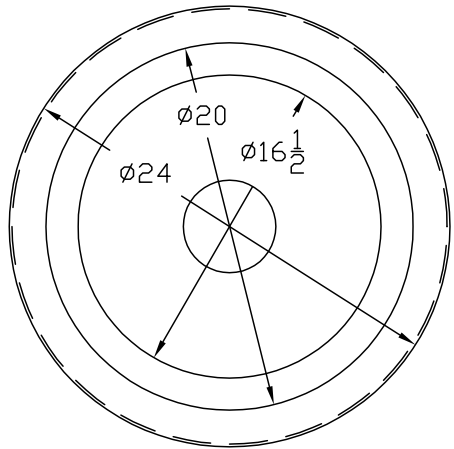




if it flows,
we go with it

1.800.665.4499
barrplastics.com

NORWESCO		REV
ST. BONIFACIUS, MN		
60 USG (227 LTRS)		
24" Dia. INDUCTOR TANK		
WT. (LBS)	DWG NO.	
24.9	42066 W/2" FTG.	
WT. (LBS)	DWG NO.	



ALL INFORMATION CONTAINED IN THIS DRAWING IS STRICTLY CONFIDENTIAL AND PROPERTY OF BARR PLASTICS INC. NO PART SHALL BE COPIED OR REPRODUCED WITHOUT THE WRITTEN CONSENT OF BARR PLASTICS INC.

Customer Drawing Approval

Customer _____

Barr Plastic Inc. _____



DATE: 15 SEP 05

PROJECT: - TANK APPROVAL DWG
CLIENT: -
DRAWING REF: -

SCALE: -
REV: -

MATERIAL SPECIFICATIONS
HDPE 1.5 SPG
ALL FITTINGS ARE POLYPROPYLENE WITH EPDM GASKETS

H:\BPT SALES DWG\TANKS Norwesco_Snyder_Ace\Norwesco\Inductor Tanks\60-24in dia.dwg