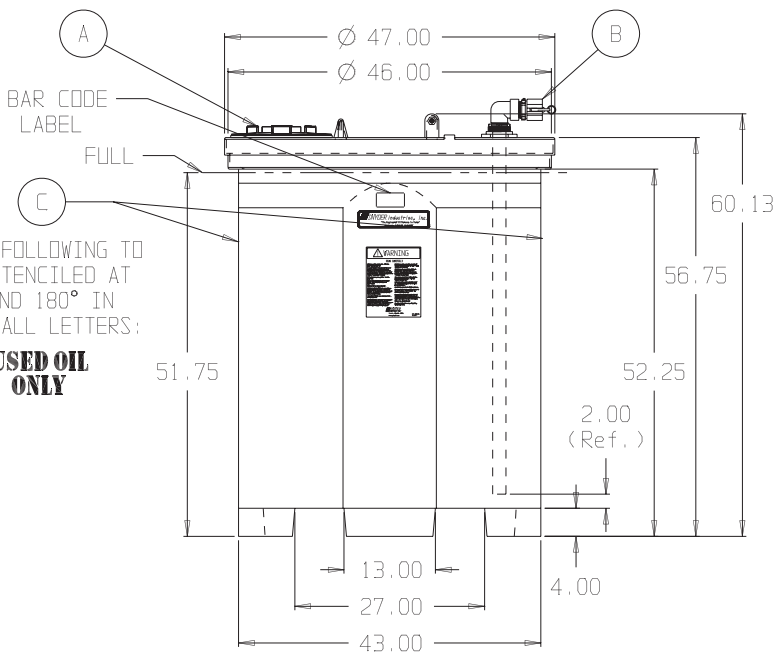
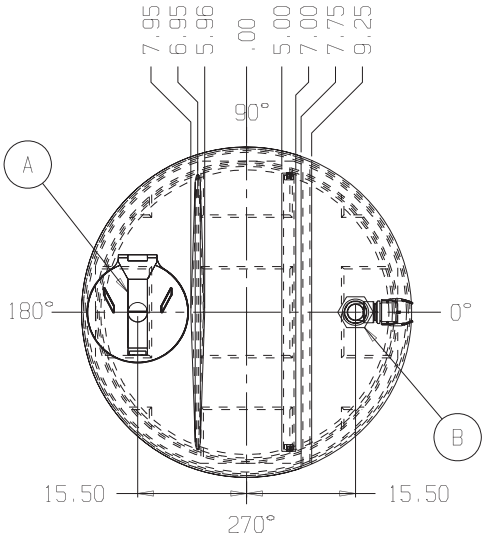




if it flows,  
we go with it

1.800.665.4499  
barrplastics.com

SNYDER INDUSTRIES INC.



THE FOLLOWING TO  
BE STENCILED AT  
0° AND 180° IN  
2" TALL LETTERS:  
**USED OIL  
ONLY**

NOTE:

- ALL EXTERNAL PIPING MUST BE INDEPENDENTLY SUPPORTED.
  - A. ASM MANWAY HINGED PP 12IN HYPRD/ARAG [P/N 34700557]
  - A. STRAINER BASKET 12" PP HYPRD/ARAG#300330 [P/N 34100191] - NOT SHOWN
  - B. FITTING PE 2IN BH TXT EPDM BJD [P/N 34300119]
  - B. ASM DRAWTUBE PP EPDM 120-500 DCT [P/N 34700332]
  - C. INK BLACK STENCIL MARSH ROLLMARK [P/N 99200011]
  - \* BASE FITTINGS TO BE LEFT INSTALLED AT TIME OF SHIPMENT PER SII PROCEDURE
  - \* Consult Snyder's Guidelines for Use and Installation prior to delivery.
- Available on-line at [www.snydernet.com](http://www.snydernet.com)

(all dimensions in inches)

TANK ASSEMBLY #: 1000500N89102 (L)  
 PRIMARY #: 5740000N95702 (L)  
 HDLPE/BLK/1.9 SG.  
 CONTAINMENT #: 1000500N89101 (L)  
 HDLPE/YW/1.9 SG.  
 REF#: 00000 01/15/09

# 275 GALLON USED OIL COLLECTION TANK SYSTEM