

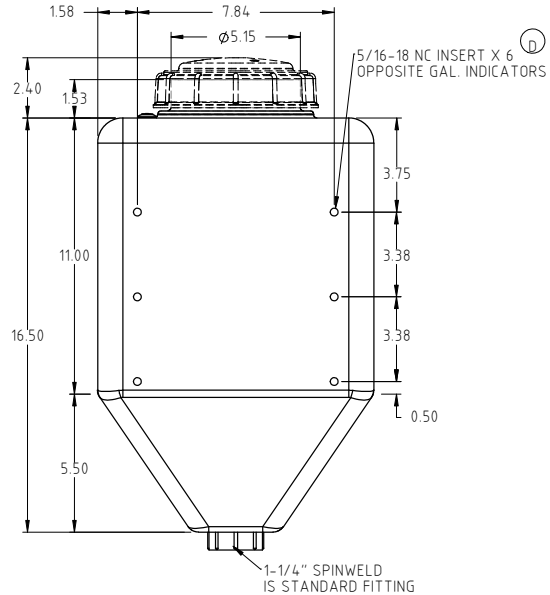
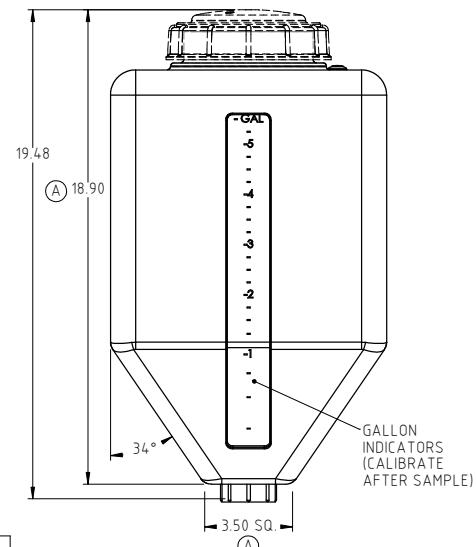
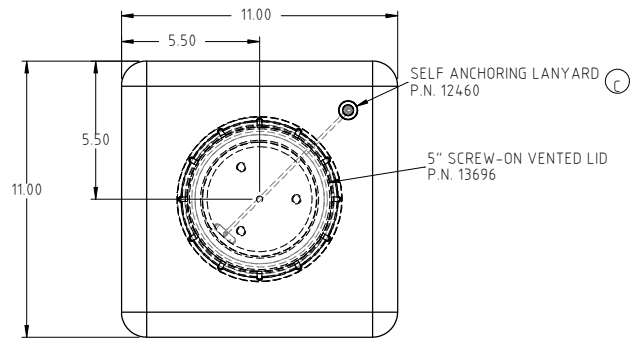


if it flows,  
we go with it

1.800.665.4499  
barrplastics.com

© DEN HARTOG INDUSTRIES, INC.  
Copyright. All information furnished within this document, electronic file or design correspondence is the property of Den Hartog industries, Inc and shall not be used, disclosed to others or copied without the expressed written consent of Den Hartog Industries, Inc.

SPBM05-SQ5 D



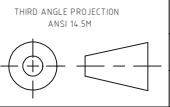
D	5/16 INSERT TYPO CORRECTED.	ADH 9/28/16	3291
C	LANYARD LOCATION CORRECTED	ADH 5/13/15	3065
B	REVISION LEVEL CORRECTED.	ADH 4/10/15	3058
A	DIMENSIONS/DRAWING TEMPLATE UPDATED TO BE BLOW MOLDED	ADH 10/17/13	2720
REV	DESCRIPTION	BY / DATE	CCN

DRAWN / DATE	MATERIAL
REH 1/16/97	WHITE=80001
APPRD. / DATE	YELLOW=80001 80003
REH 1/16/97	
SHOT WEIGHT:	NOTES:
5 LBS	1.) SHIP PART W/CAP INSTALLED
SHIPPING WEIGHT:	
5.50 LBS	
FINISH:	

BARR Plastics Inc  
Abbotsford, BC  
info@barrplastics.com  
barrplastics.com

ALL DIMENSIONS ARE IN DECIMAL INCHES  
TOLERANCES UNLESS OTHERWISE SPECIFIED

POLYETHYLENE	METAL
±1% @ 68°F	DECIMAL ± .125" FRACTION ± 1/4" ANGLE ± 1°



DESCRIPTION	ACE 5 GAL. MINI-INDUCTOR TANK-5" LID
SCALE	N.S.
PART NO.	SPBM05-SQ5