

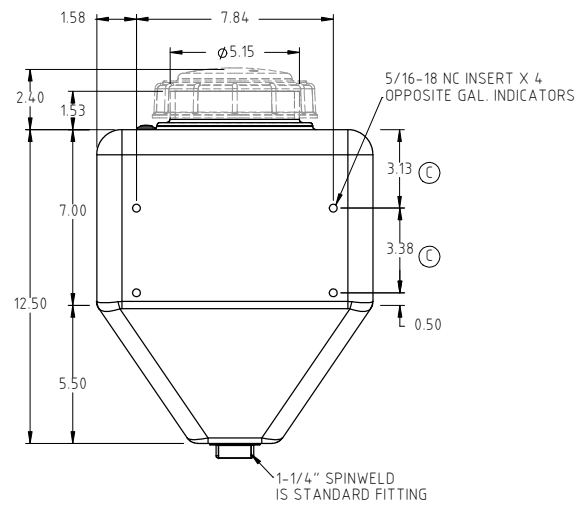
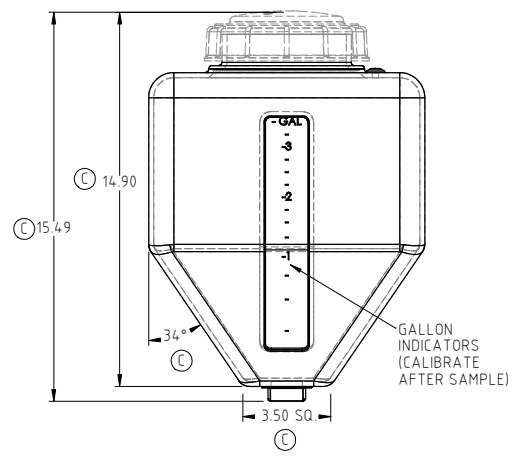
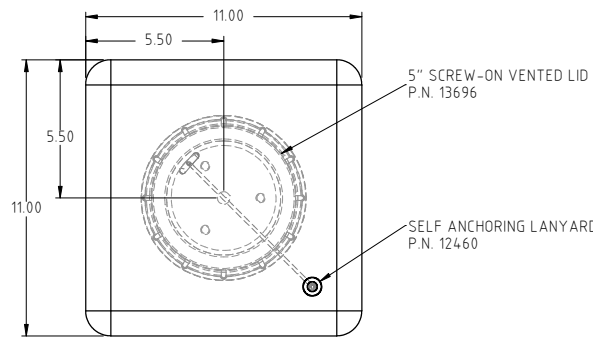


if it flows,
we go with it

1.800.665.4499
barrplastics.com

© DEN HARTOG INDUSTRIES, INC.
Copyright: All information furnished within this document, electronic file or design correspondence is the property of Den Hartog Industries, Inc. and shall not be used, disclosed to others or copied without the expressed written consent of Den Hartog Industries, Inc.

SPBM04-SQ5



C	DIMENSIONS/DRAWING TEMPLATE UPDATED TO BE BLOW MOLDED	ADH 10/17/13	2720	DRAWN / DATE	MATERIAL	BARR Plastics Inc Abbotsford, BC info@barrplastics.com barrplastics.com	
B	ADD HEIGHT DIM.	8/29/06		REH 1/16/97	WHITE=80001		
A	CHANGE 6" TO 5" LID	12/30/05		APPRD. / DATE	YELLOW=80001 80003		
REV	DESCRIPTION	BY / DATE	CCN	REH 1/16/97			
ALL DIMENSIONS ARE IN DECIMAL INCHES TOLERANCES UNLESS OTHERWISE SPECIFIED		THIRD ANGLE PROJECTION ANSI 14.5M		SHOT WEIGHT:	NOTES:	DESCRIPTION	
POLYETHYLENE ±1% @ 68°F		METAL DECIMAL ± .125" FRACTION ± 1/4" ANGLE ± 1°		SHIPPING WEIGHT:	1) SHIP PART W/CAP INSTALLED	ACE 4 GAL. MINI-INDUCTOR TANK-5" LID	
				FINISH:		SCALE	PART NO. YELLOW COLOR = SPBM04-SQ5-Y WHITE COLOR = SPBM04-SQ5-W

This document contains proprietary information. It is intended solely for use of potential clients involved or to be involved in a transaction with BARR Plastics Inc.

© 2019 BARR PLASTICS INC