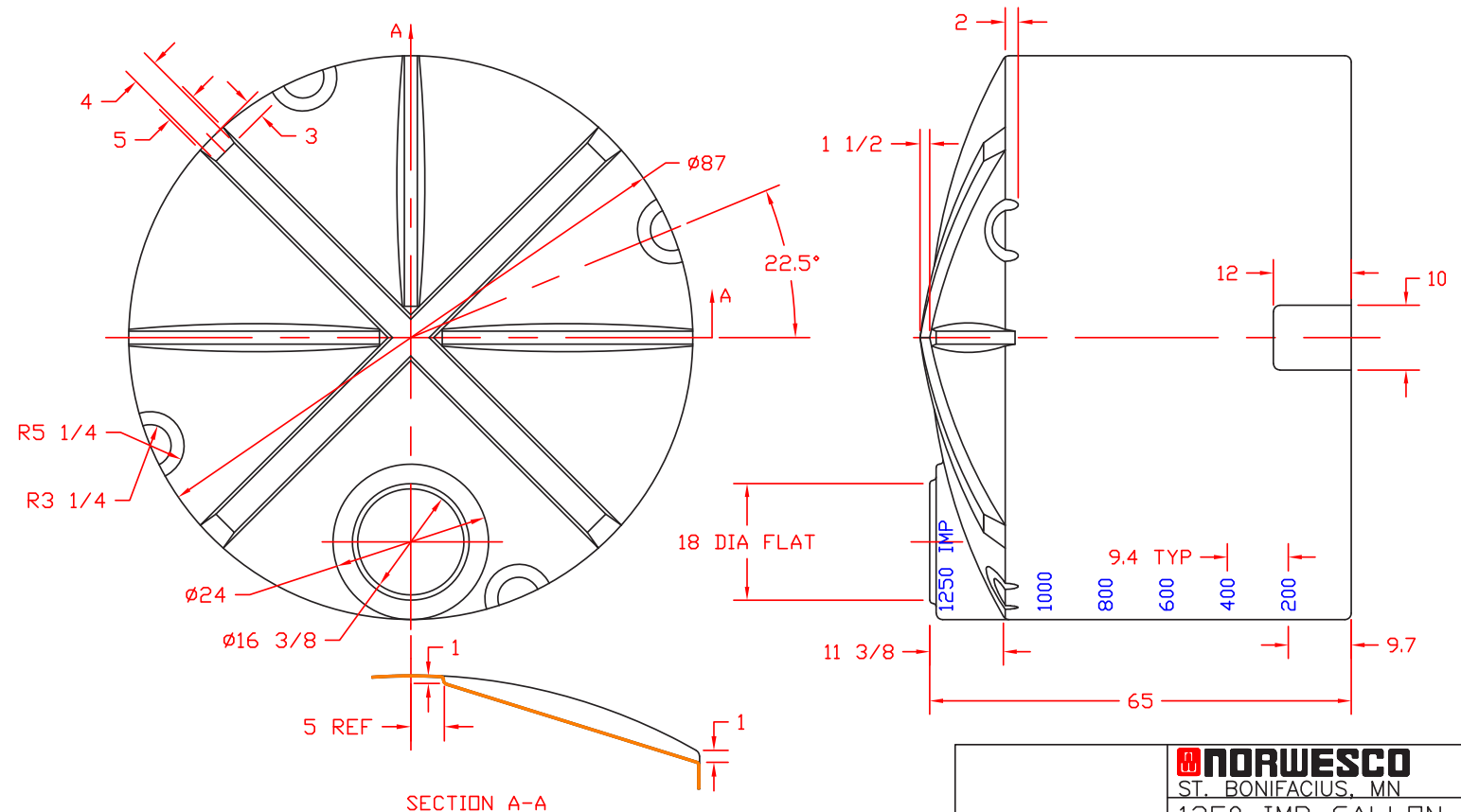




if it flows,
we go with it

1.800.665.4499
barrplastics.com

REVISIONS				
ZONE	REV	DESCRIPTION	DATE	APPROVED
	A	REDRAWN W/ RIBBED TOP	20OCT96	



ST. BONIFACIUS, MN			
1250 IMP GALLON VERTICAL TANK			
JTP 02OCT96	SIZE B	FSCM NO. 44533	DWG NO. 41219/41221/41223/41225
SCALE 1/16		41219	SHEET