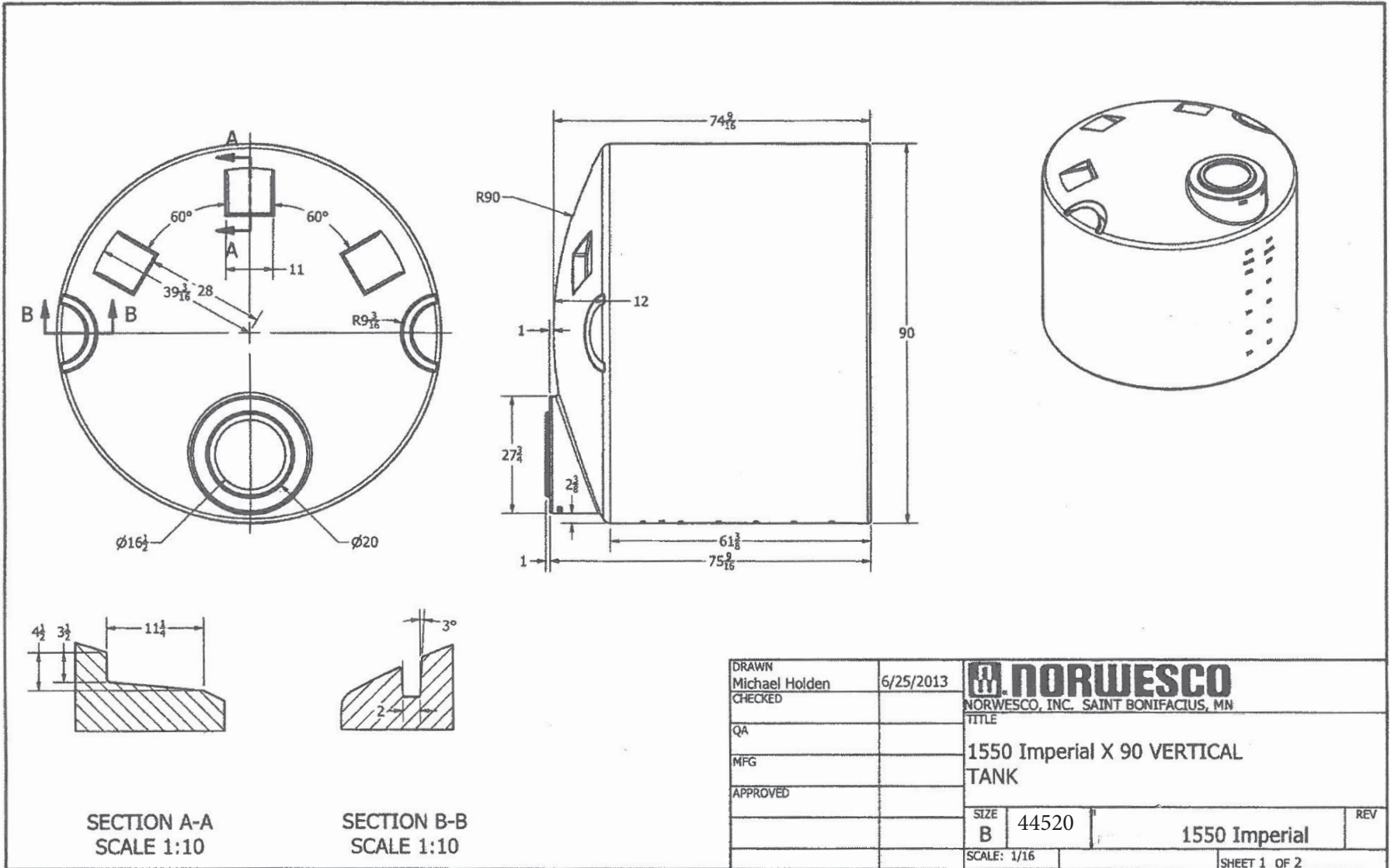




if it flows,
we go with it

1.800.665.4499
barrplastics.com



DRAWN Michael Holden	6/25/2013	NORWESCO	
CHECKED		NORWESCO, INC. SAINT BONIFACIUS, MN	
QA		TITLE	
MFG		1550 Imperial X 90 VERTICAL TANK	
APPROVED		SIZE B	44520
		1550 Imperial	
		SCALE: 1/16	REV
		SHEET 1 OF 2	