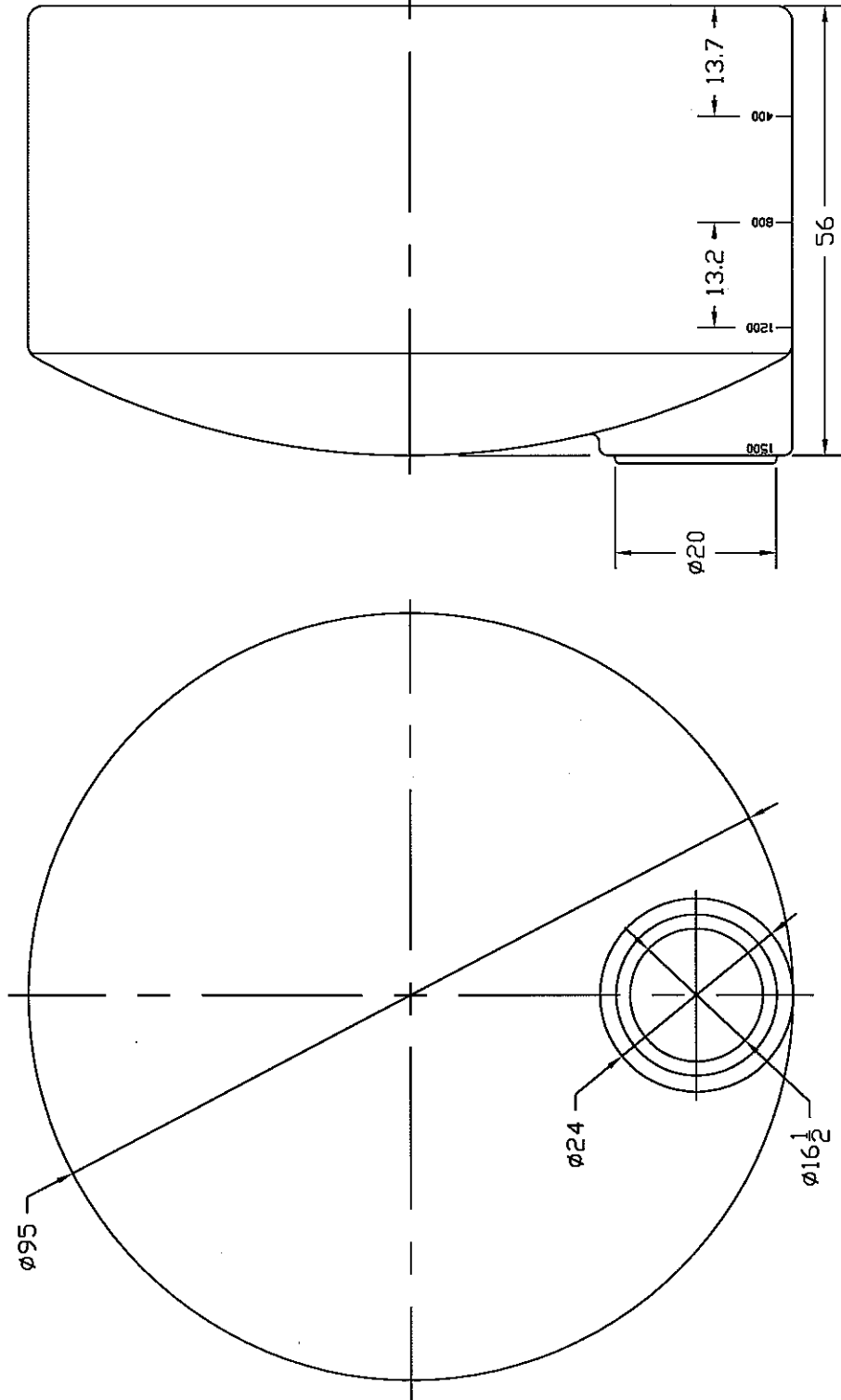


REVISIONS			
ZONE	REV	DESCRIPTION	DATE



NORWESCO
 ST. BONIFACIUS, MN
 1500 GALLON VERTICAL
 WATER TANK X 95 DIA

SIZE	FSCM NO.	DWG NO.	REV
JTP	13FEB04	B	

SCALE 1/16 SHEET